

10 MAINTENANCE AND CLEANING

The following points have to be considered during the inspection:

- 1) All screws for installing the devices or parts of the device have to be tightly connected and must not be corroded.
- 2) There must not be any deformations on the housing, color lenses, fixations and installation spots (ceiling, suspension, trussing).
- 3) Mechanically moved parts must not show any traces of wearing and must not rotate with unbalances.
- 4) The electric power supply cables must not show any damage, material fatigue or sediments.

Further instructions depending on the installation spot and usage have to be adhered by a skilled installer and any safety problems have to be removed.



CAUTION

Disconnect from mains before starting maintenance operation.



In order to make the lights in good condition and extend the life time, we suggest a regular cleaning to the lights.

- 1) Clean the inside and outside lens each week to avoid the weakness of the lights due to accumulation of dust.
- 2) Clean the fan each week.
- 3) A detailed electric check by approved electrical engineer each three month, make sure that the circuit contacts are in good condition, prevent the poor contact of circuit from overheating.

We recommend a frequent cleaning of the device. Please use a moist, lint- free cloth. Never use alcohol or solvents.

There are no serviceable parts inside the device. Please refer to the instructions under "Installation instructions".

Should you need any spare parts, please order genuine parts from your local dealer.



ADD F1-5, Block 3, No.97, Guangzhu Rd, Lanhe Town, Nansha District, Guangzhou 511480

Tel. +86 20 8499 2310/2320/2330

Fax +86 20 8499 2360

E-mail info@color-imagination.com

Website www.color-imagination.com

**Follow
us on**



www.facebook.com/color.imagination.1



www.youtube.com/user/colorimaginationj

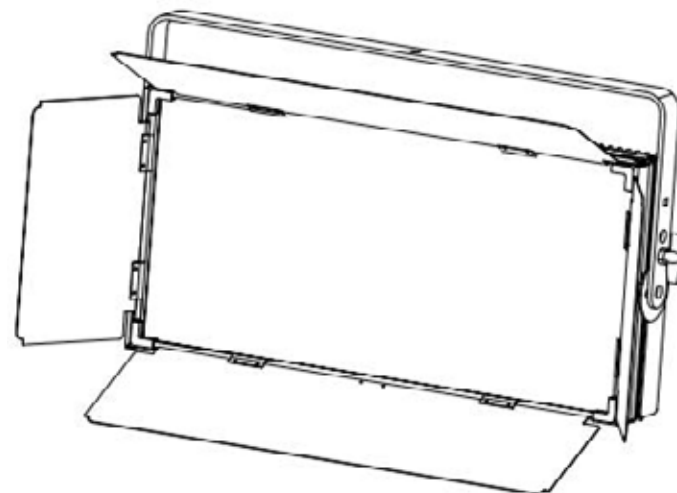


https://twitter.com/Color_lighting

Color[®]
IMAGINATION
the POWER of DREAM

SI-303

PANEL 2618



CE   IP20 t_a 40°C t_c 150°C

User Manual
KEEP THIS MANUAL FOR FUTURE NEEDS

1 SAFETY INSTRUCTIONS



CAUTION

Becareful with your operations. With a dangerous voltage you cansuffer a dangerous electric shock when touching wires!

This device has left the factory in perfect condition. In order to maintain this condition and to ensure a safe operation, it is absolutely necessary for the user to follow the safety instructions and warning notes written in this user manual.



IMPORTANT

Damages caused by the disregard of this user manual are not subject to warranty. The dealer will not accept liability for any resulting defects or problems.

If the device has been exposed to temperature changes due to environmental changes, do not switch it on immediately. The arising condensation could damage the device. Leave the device switched off until it has reached room temperature.

This device falls under protection-class I. Therefore it is essential that the device be earthed.

The electric connection must carry out by qualified person.

The device shall only be used with rate voltage and frequency.

Make sure that the available voltage is not higher than stated at the end of this manual.

Make sure the power cord is never crimped or damaged by sharp edges. If this would be the case, replacement of the cable must be done by an authorized dealer.

Always disconnect from the mains, when the device is not in use or before cleaning it. Only handle the power cord by the plug. Never pull out the plug by tugging the power cord.

During initial start-up some smoke or smell may arise. This is a normal process and does not necessarily mean that the device is defective, it should decrease gradually.

Please don't project the beam onto combustible substances.

Fixtures cannot be installed on combustible substances, keep more than 50cm distance with wall for smooth air flow, so there should be no shelter for fans and ventilation for heat radiation.

If the external flexible cable or cord of this luminaire is damaged, it shall be exclusively replaced by the manufacturer or his service agent or a similar qualified person in order to avoid a hazard.

Hint:Pls use 2nd,3rd,4th channel to choose one function at first, then use 6th channel to make setting the second parameter of that function.				
6	Lighting Mode			
	CCT	GN (Red, green compensation)	000-019 020-120 (-50)-0 121-154 Null compensation 155-255 0-(+50)	
	HSI	SAT(Saturation)	000-255	
	RGBW	G(Mix green color)	000-255	
	Tungsten	G+(Green compensation)	000-255	
	Sodium Vepour	Null		
	Metal Halide	Null		
	Fluorescent	Null		
	Street	Null		
	Special Effect			
	Storm	SPD	000-255	
	Cop Car	Single	000-042	6 kinds mode switching
		Double	043-084	
		Quint_All	085-126	
		Quint	127-168	
		Quad	169-210	
		Cycle	211-255	
		Warmer	000-085	
	Candle Light	Cooler	086-172	
		Neutral	173-255	
Soft Disco		SAT	000-255	
Hard Disco	Colors3	000-032	8 kinds color mode switching	
	Colors6	033-064		
	Colors9	065-096		
	Colors12	097-128		
	Colors15	129-160		
	Colors18	161-192		
	Colors21	193-224		
Colors24	225-255			
Monitor	Warmer	000-085		
	Cooler	086-172		
	Neutral	173-255		
Multi Flash	Modern	000-127		
	Blue	128-255		
Hint:Pls use 2nd,3rd,4th channel to choose one function at first, then use 7th channel to make setting the third parameter of that function.				
7	Lighting Mode			
	CCT	R+(Red Compensation)	000-255	
	HIS	Null		
	RGBW	B(Green Compensation)	000-255	
	Tungsten	B+(Blue Compensation)	000-255	
	Special Effect			
	Storm	Suspend Start	000-127 128-255	
Hint:Pls use 2nd,3rd,4th channel to choose one function at first, then use 8th channel to make setting the fourth parameter of that function.				
8	Lighting Mode			
	CCT	G+(Green Compensation)	000-255	
	HSI	Null		
	RGBW	W(Mixed white color)	000-255	
Hint:Pls use 2nd,3rd,4th channel to choose one function at first, then use 9th channel to make setting the fifth parameter of that function.				
9	Lighting Mode			
	CCT	B+(Blue Compensation)	000-255	
	HIS	Circulation OFF Circle	000-004 005-255	
10	Flicker (Lighting mode and filter flicker, no flicker for special effects)			
	Lighting Mode, Filters	No flashing Flashing Speed (255 max)	000-010 011-255	

9 DMX CHANNELS

10CH Mode

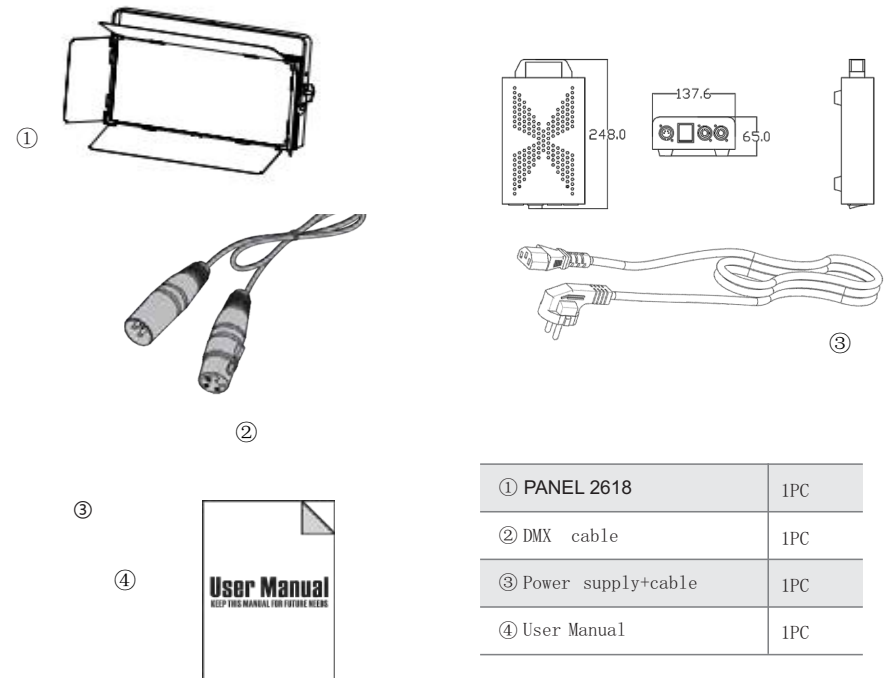
Channel	Function	Date	Remarks		
1	Dimmer	000-255			
2	Lighting Mode	000-028	OFF		
		029-056	CCT		
		057-084	HSI		
		085-112	RGBW		
		113-140	Tungsten		
		141-168	Sodium Vepour		
		169-196	Metal Halide		
		197-224	Fluorescent		
		225-255	Street		
		3	Special Effect	000-031	OFF
				032-062	Storm
063-093	Cop Car				
094-124	Candle Light				
125-155	Soft Disco				
156-186	Hard Disco				
187-217	Monitor				
218-255	Multi Flash				
4	Filters			000-023	OFF
				024-046	L3202
				047-069	L3203
		070-092	L3204		
		093-115	L3208		
		116-138	L3216		
		139-161	L3407		
		162-184	L3411		
		185-207	L3408		
		208-230	L3409		
		231-255	L3418		
		5	Hint:Pls use 2nd,3rd,4th channel to choose one function at first, then use 5th channel to make setting the first parameter of that function.		
			Lighting Mode		
			CCT	Adjust color temperature	000-255
HSI	Choose light color		000-255	0-360 degree	
RGBW	R (Mix red color)		000-255		
Tungsten	R+(Red compensation)		000-255		
Sodium Vepour	Null				
Metal Halide	Null				
Fluorescent	Warmer		000-085		
	Cooler		086-172		
	Neutral		173-255		
Street	YW		000-063		
	WW		064-127		
	NW		128-191		
	CW		192-255		
Special Effect					
Storm	Frequency		000-255		
	B		000-063		
Cop Car	RB		064-127		
	BW		128-191		
	RBW		192-255		
			000-255		
Candle Light	SPD				
Soft Disco	SPD		000-255		
Hard Disco	SPD		000-255		
Monitor	SPD		000-255		
Multi Flash	Frequency		000-255		
Filters					
	3200K	000-127	Switch between 2 modes		
	5600K	128-255			

2 UNPACKING

Thank you for choosing our PANEL 2618 .For your own safety, please read this manual before installing the device. This manual covers the important information on installation and applications. Please install and operate the fixture with following instructions. Meanwhile, please keep this manual well for future needs.

PANEL 2618 is made of a new type of high temperature strength of cast aluminum casing with nice outlook. The fixture is designed and manufactured strictly following CE&RoHS standards, complying with international standard DMX512 protocol. It's available independently controlled and linkable with each other for operation. And it is applicable for large-scale live performances, theater, studio, nightclubs and discos.

PANEL 2618 adopts 858*0.5W 3-in-1+880*0.35W 2700K amber+880*0.35W 8000K white LEDs, which features high brightness and stability. Please carefully unpack it when you receive the fixture and check whether it is damaged during the transportation. And please check whether the following items are included inside the box:



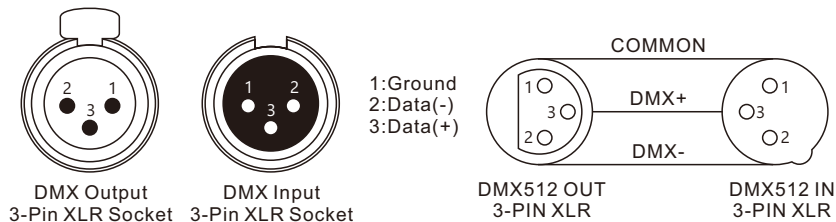
3 FEATURES & SPECIFICATIONS

Features

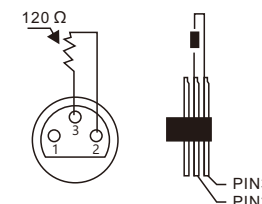
- 858*0.5W 3-in-1+880*0.35W 2700K amber+880*0.35W 8000K white LEDs, lower power consumption
- 2700K-12000K Color temperature adjustable
- 31 Preset color temperature options
- CRI: ≥95
- Flicker free operation for broadcast TV and FILM
- Frequency adjustable between 500Hz and 25000Hz
- Life Span: 50000H
- High resolution and precise front soft diffusion panel
- 180°Projection angle
- 4-Leaf rotating barn doors included
- 25T/sec high speed LED shutter/strobe effect with variable speed
- 0-100% Smooth linear LED dimming
- 4 Dimming curve modes, linear/square law/Inv square law/S-curve
- 2 Individual dimmer knobs
- 10 DMX channels USITT DMX-512
- RDM available (Remote Device Management)
- DMX512, master-slave, or auto operation
- DMX recorder and edit function integrated
- Shielded input signal protection for stable signal without interference
- 3-Pin XLR DMX connectors IN/OUT
- 3-2.8" Touch TFT LCD display
- 4 Control buttons
- 2 Control knobs
- 180°Reversible for LCD display
- Display Auto OFF
- IP20 protection rating

Specifications

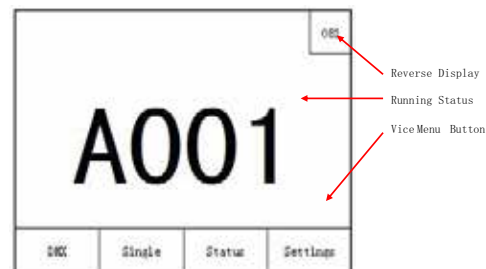
- Input Voltage:AC100-240V 50/60Hz
- LED Quantities: 858*0.5W 3-in-1+880*0.35W 2700K amber+880*0.35W 8000K white LEDs,
- Control Signal:DMX512, master-slave and sound activated or auto operation
- Control Channel: 10 DMX channels USITT DMX-512
- Power Consumption:350W
- Dimensions: 106. 2(D)*759. 8(W)*415. 1(H)mm
- Packing List: 210(D)*880(W)*520(H)mm
- Net Weight: 12kg
- Gross Weight: 14kg



For installations where the DMX cable has to run a long distance or is in an electrically noisy environment, such as in a discotheque, it is recommended to use a DMX terminator. This helps in preventing corruption of the digital control signal by electrical noise. The DMX terminator is simply an XLR plug with a 120 Ω resistor connected between pins 2 and 3, which is then plugged into the output XLR socket of the last fixture in the chain. Please see illustrations below.

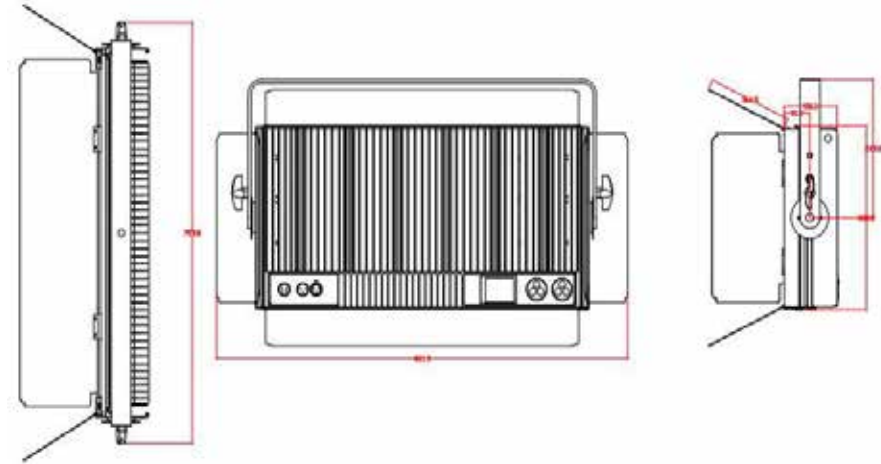


8 MENU OPERATIONS



Menu	Operation	Option	Description
Touch Calibration	Touch screen adjust		
White PointEdit	Color temperature correction		
Dimmer Frequency	Change the dimmer frequency	500Hz	
		
Dimmer Curve	Change dimmer curve	25000Hz	
		Standard	
		Incandescent	
		Linear	
		Quick	
Over Temperature	Temperature setting	80-100	Each 5 for increase or decrease
Backlight	Adjust the display brightness	10%~100%	Each 5% for increase or decrease
BacklightTimeout	Screen protect setting	No screen protect or black screen from 5~60 second	Each 5 for increase or decrease
Load FactorySettings	Reset		

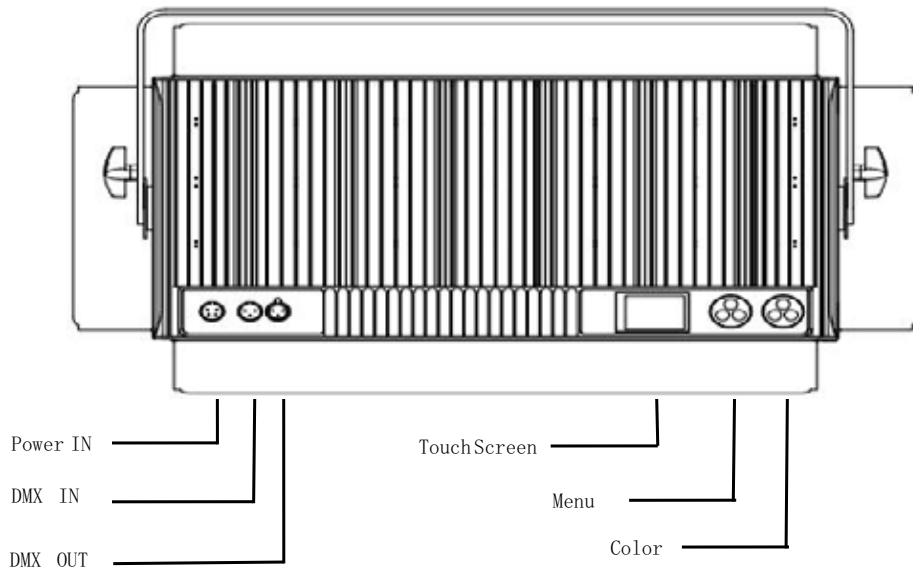
Regardless of the rigging option you choose for your PANEL 2618, always be sure to secure your fixture with a safety cable. The fixture provides a built-in rigging point for a safety cable on the hanging bracket as illustrated above. Be sure to only use the designated rigging point for the safety cable and never secure a safety cable to a carrying handle.



7 DMX-512 CONTROL CONNECTIONS

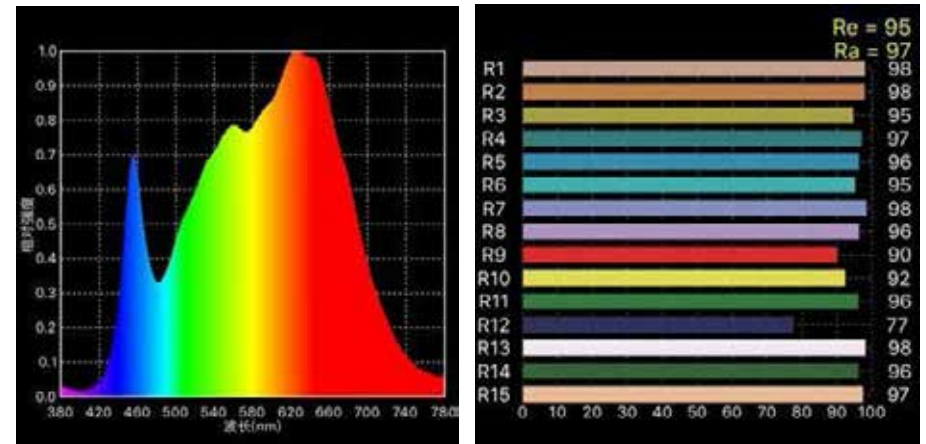
Connect the provided XLR cable to the female 3-pin XLR output of your controller and the other side to the male 3-pin XLR input of the studio light. You can chain multiple Studio light together through serial linking. The cable needed should be two core, screened cable with XLR input and output connectors. Please refer to the diagram below.

DMX-512 connection with DMX terminator



4 PHOTOMETRIC CHART

$R_a \geq 95$



5 OPERATION INSTRUCTIONS

- The PANEL 2618 is an LED soft panel light for on-site decoration purpose.
- Don't turn on the fixture if it's been through severe temperature difference like after transportation because it might damage the light due to the environment changes. So make sure to operate the fixture until it is in normal temperature.
- This light should be kept away from strong shaking during any transportation or movement.
- Don't pull up the light by only the head, or it might cause damages to the mechanical parts.
- Don't expose the fixture in overheat, moisture or environment with too much dust when installing it. And don't lay any power cables on the floor. Or it might cause electronic shock to the people.
- Make sure the installation place is in good safety condition before installing the fixture.
- Make sure to put the safety chain and check whether the screws are screwed properly when installing the fixture.
- Make sure the lens are in good condition. It's recommended to replace the units if there are any damages or severe scratch.
- Make sure the fixture is operated by qualified personnel who knows the fixture before using.
- Keep the original packages if any second shipment is needed.
- Don't try to change the fixtures without any instruction by the manufacturer or the appointed repairing agencies.
- It is not in warranty range if there are any malfunctions from not following the user manual to operate or any illegal operation, like shock short circuit, electronic shock, lamp broke, etc.

5 INSTALLATIONS

Cautions: For added protection mount the fixtures in areas outside walking paths, seating areas, or in areas where the fixture might be reached by unauthorized personnel.

Before mounting the fixture to any surface, make sure that the installation area can hold a minimum point load of 10 times the device's weight.

Fixture installation must always be secured with a secondary safety attachment, such as an appropriate safety cable.

Never stand directly below the device when mounting, removing, or servicing the fixture.

from a ceiling, or set on a flat level surface (see illustration below). Be sure this fixture is kept at least 0.5m (1.5 ft) away from any flammable materials (decoration etc.).

Always use and install the supplied safety cable as a safety measure to prevent accidental damage and/or injury in the event the clamp fails.

Mounting points: Overhead mounting requires extensive experience, including amongst others calculating working load limits, a fine knowledge of the installation material being used, and periodic safety inspection of all installation material and the fixture. If you lack these qualifications, do not attempt the installation yourself. Improper installation can result in bodily injury.

Be sure to complete all rigging and installation procedures before connecting the main power cord to the appropriate wall outlet.

Clamp Mounting: The PANEL 2618 provides a unique mounting bracket assembly, and the safety cable rigging point in one unit (see the illustration below). When mounting this fixture to truss be sure to secure an appropriately rated clamp to the handle using a M10 screw fitted through the center hole of the handle. As an added safety measure be sure to attach at least one properly rated safety cable to the fixture using one of the safety cable rigging points.

